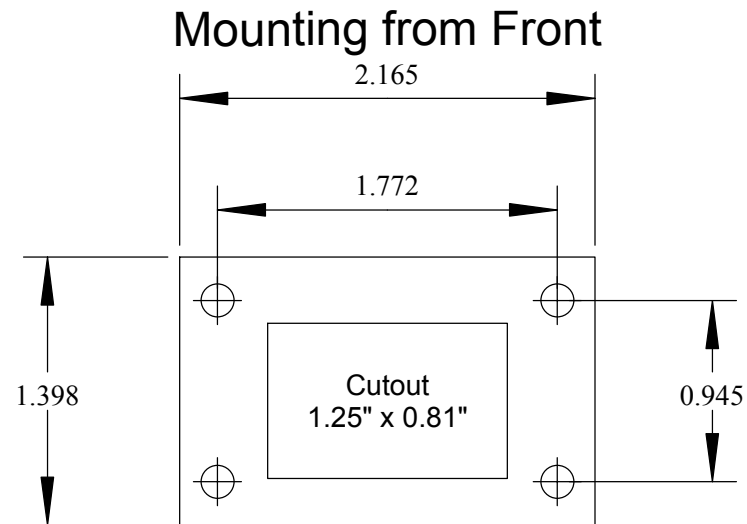


# Mounting Template

For Deutsch DT04-12P-L012  
Flange Mount Receptacles



Mounting Holes (4 Typical)

Use 11/64" Drill for #8 Machine Screws with nuts and washers

or

#29 Drill for 8-32 Tap

or

#28 Drill for #8 Sheet Metal Screw in Heavy Sheet Metal

or

#29 Drill for #8 Sheet Metal Screw in Light Sheet Metal

## Note:

Check dimensions with rule after printing.

Make sure printer is set to print actual size.